

New Product Review

DON-JO MFG., INC.

March
2021



Thin Panel Door Viewer



Locking Ladder Pulls



**Extra Width & Extra Height
Latch Bolt Hole Strikes**



**Deep Reveal Offset
Latch Protector**

March 2021

Thin Panel UL Door Viewer

ULDV-50

- 180 Degree Viewing
- Glass Lens
- UL Listed
- Panel Thickness from 3/4" to 1 1/4"
- 9/16" Hole
- 626 & 605 Finishes



Model	List Price
ULDV-50 626	\$12.70
ULDV-50-605	\$12.70

*See our full offering of Door Viewers at www.Don-Jo.com

Deep Reveal – Extra Offset Latch Protector



Ideal for Deep Reveals

- 1 1/8" Offset
- Available 7" or 10" Height
- Works with Lock Roses up to 3 3/4" Diameter
- Stainless Steel Series DLP 107 and DLP 110
- Coated Finish Series DLB 207 and DLP 210

Now Standard with EBF Fasteners!

**Now available with
EBF Fasteners!**



Model	List Price
DLP 107 630	\$29.40
DLP 110 630	\$30.80
DLP 207 BP	\$19.80
DLP 207 CP	\$19.70
DLP 207 DU	\$19.10
DLP 207 622	\$20.10
DLP 207 SL	\$19.10
DLP 210 BP	\$22.00
DLP 210 CP	\$22.00
DLP 210 DU	\$21.40
DLP 210 622	\$22.40
DLP 210 SL	\$22.00

March 2021

EH & EW Strikes

The EH (Extended Height) strike has an increased height latch bolt hole to allow for fluctuations in latch/strike locations.

The centered hole gives an extra 1/4" to the top and bottom of the latch cut out (+1/2" total)

The EW (Extended Width) strike has an increased width latch bolt hole to allow for bowed doors or binding in latch/strike locations.

The centered hole gives an extra 3/16" width, away from the stop, to overcome bowed or binding doors.



New! Now available in Visual Pack

Prefix "V" to part number
Add \$2.50 List
Ex: VEH 161 630



EH-161 & EW-161	List Price
622	\$15.00
630	\$13.55
DU	\$13.05

Locking Ladder Pulls



- One Piece Durable Construction
- Larger Thumb Turn Standard
- One Person Installation
- Multiple Locking Options Floor, Head, Both
- Custom Sizes Available
- Adjustable Strike Up to 7/8"
- Adapts to Glass, Wood and Aluminum Doors
- Leather Wrap & Drip Zone Option Available
- US32, US32D, US3, US4 and Powdercoat Finishes

March 2021

New Exit Sign



- Provides visual, tactile and Grade 2 Braille information to assist all employees and visitors.
- Designed to meet Federal ADA/ADAAG guidelines for content, symbol design, text style, Braille translation and color contrast.
- Braille dots meet ADA requirements for size, shape and spacing.
- 6" x 9"
- Matte-finish acrylic reduces reflections and glare for better visibility.
- Includes adhesive mounting strips for easy installation.

HS 9070 38
List \$15.80

All Gender and Title 24 Signs



CHS 9 – Title 24, All Gender
List \$16.70*
CHS 9 should be mounted on the door. Does not have braille



HS 9070 33 – All Gender
List \$15.80*
6" x 9"
HS 9070 33 should be mounted on the wall next to the door. Includes braille

Other Title 24 Signs



CHS 1
CHS 6



CHS-2
CHS-7



CHS-3
CHS-8



CHS-4



CHS-5



HS-9050-01
HS-9060-01
HS-9070-01
HS-9090-01



HS-9060-02
HS-9070-02



HS-9060-03
HS-9070-03



HS-9070-07



HS-9060-04
HS-9070-04



HS-9050-05
HS-9060-05
HS-9070-05
HS-9090-05



HS-9060-22
HS-9070-22



HS-9070-08

*2020 List Prices

Did You Know?

Don-Jo makes Custom Plates and Wrap-Arounds for most access control locks



Got a problem you need solved?
sales@don-jo.com

March 2021

Corbin Russwin, Best, Sargent & Schlage Mortise Lock Wrap

Ease of Installation for Sectional Mortise Locks!

No more drilling holes in stainless steel for select Corbin Russwin, Best, Sargent and Schlage mortise locks.

- Use 4020 CW for Corbin Russwin and Best Single Cylinder Functions
- Use 4020T CW for Corbin Russwin and Best Single Cylinder w/Thumb Turn
- Use 9080 CW for Schlage Single Cylinder Functions
- Use 9050 CW for Schlage Single Cylinder with Thumb Turn
- Use 8255 CW for Sargent 8204, 8255, 8206 and other Single Cylinder Functions
- Use 8205 CW for Sargent 8205 and other Single Cylinder Functions with Thumbturn



Model	S/630	PB/605	BZ/612	10B/613
4020 CW	\$42.90	\$50.89	\$125.85	\$53.10
4020T CW	\$42.90	\$50.89	\$125.85	\$53.10
9080 CW	\$42.90	\$50.89	\$125.85	\$53.10
9050 CW	\$42.90	\$50.89	\$125.85	\$53.10
8255 CW	\$42.90	\$50.89	\$125.85	\$53.10
NEW! 8205 CW	\$42.90	\$50.89	\$125.85	\$53.10

*Please provide handing when ordering Ex: 9050 S CW RHR

Center Hung Pivot Reinforcement



TPR-1 List \$8.65

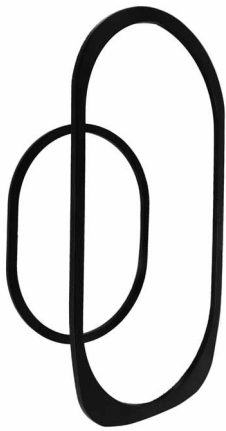
Tired of trying to make Center Hung Top Pivot Reinforcements in your shop?

- The All-New TPR-1 is designed for reinforcing center hung top pivots in cased opening frames.
- Works with Ives 7200 Series Pivots (consult factory for other manufacturers)
- 18 ga. Steel

March 2021

Stock and Custom Adaptor Rings, Remodeler Plates & Scar Plates for Access Control Locks

Now Available in Black & DU Finishes



For Schlage NDE



For Yale NexTouch



For Kaba E2000



Custom Plate

Need custom plates or spacers? sales @don-jo.com

TLP 110 – Narrow Latch Protector with Thru-Bolt Fastening



- Narrow Latch Protector for Outswing Doors
- New Thru-Bolt Fastening Method
- Works with most Exit Device Trim
- Works with most Mortise Lock Trims
- 1 1/2" x 10"

Finishes: TLP 110-630 (Stainless Base)
TLP 210-DU, PC, SL (Steel Base)

Model	List Price
TLP 110 (shown)	\$26.00
TLP 210 SL	\$21.50
TLP 210 DU	\$22.60
TLP 210 PC	\$20.80

March 2021

FDT Frame Dimpler

- Aids in hollow metal door frame installation.
- Used when installing a new hollow metal frame in an existing masonry or stud opening.
- Hardened steel. Uses an Allen screw & wrench to smoothly add a dimple to the door.
- The FDT-1 makes the job an easy one with a professional looking fit to the fasteners.
- The tool is double-sided; after extensive use simply use the opposite side. Two allen screws and a long-arm allen wrench are also included.



Barn Door/Sliding Door Hardware Sets



BD1815
3/4" Round Pull



BD1837
1" Half Round Pull



BD1830
3/8" x 1-1/4" Flat Bar Pull



BD18
Flush Pull Only

Pair our ever-popular Architectural Flush Cup Pull with one of our Standard Pulls to create a competitively priced, architecturally appealing solution to Barn Doors/Sliding Doors.

- Stocked in 630, 613, and 622 Black

Custom Finishes Available

- Full Pull Dimension: 2-1/2" x 7"

- All Pulls 6" CTC

See page 14 for pricing

March 2021

Hands Free Products

Foot Pulls



#46—Strongest and Most Durable Foot Pull Available. Completely Wraps the Door. Now with **"Soft-Touch"** Foot Guard.



#47—Ramped Design Eliminates "Stomping". Surface Applied. ThruBolted. Now with **"Soft-Touch"** Foot Guard.



#48—Double Thru-Bolted, Surface Applied. Dual Use (Top or Bottom Pull).

Arm Pulls



#42—Double Thru-Bolted, Surface Applied



#43—Surface Applied. ThruBolted, 4-1/8" Clearance. Now with **"Soft-Touch"** arm protector.



#44—Classic Hospital Pull

*All available in 630 (stainless), 622 (black), DU (dark bronze)
All products available with optional Anti-Microbial Coating on 630*

March 2021

Industry Firsts!

Hinge Side Door Wrap Around with Hinge Reinforcement Prep

Repair Damaged or Destroyed Hinge Preps.

Prepared and reinforced to accept 4-1/2" or 5" Standard Weight Hinge*. Ready out of the box, no additional prep required.



45-FE

Model	Size	S/630	10B/613
45 FE	1"x12"	\$58.00	\$68.00
50 FE	1"x12"	\$58.00	\$68.00
45 CW	5"x12"	\$67.00	\$77.00
50 CW	5"x12"	\$67.00	\$77.00

Inactive Door Wrap Around with ASA Strike Prep

Wrap Around for Inactive Door

Prepared and reinforced to accept 4-7/8" ASA Strike*. Ready out of the box. No additional assembly required.



Model	Size	List
478 10B CW	5"x12"	\$77.00
478 S CW	5"x12"	\$67.00
478 10B FE	1"x12"	\$68.00
478 S FE	1"x12"	\$58.00

*Hinges and Strike Sold Separately

Electromagnetic Door Holders



Flush Mount - Chrome



Surface Mount - Bronze



Recess Mount - Brass



Accessories & Extensions

- Dual Voltage (24/120 Volt AC or DC)
- Powder Coated Chrome, Brass, Bronze
- Flush Mount, Surface Mount, Recessed Mount, Ground Mount (single or double)
- Adhesive Mounting Template
- Extension Rods and Extension Angles
- Superior Holding Force
- Low Residual Magnetism
- Also Available with 12/24 - AC/DC Dual Voltage Coil
- Made in USA

See page 14 for pricing

March 2021

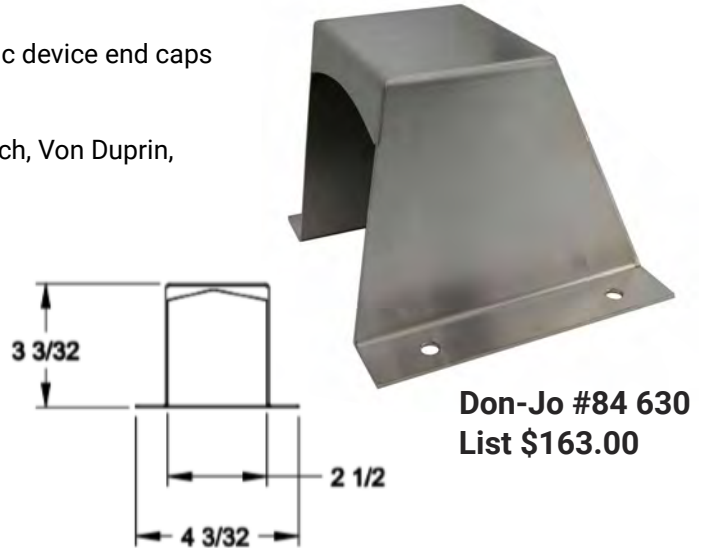
#84 Panic Device End Cap Protector

Designed and manufactured in America to protect panic device end caps from damage and destruction.

The unit fits over Corbin-Russwin, Sargent, Yale, Monarch, Von Duprin, and Adams-Rite units.

4" Overall Length.

For endurance and reliability, this unit is made of 18 gauge stainless steel with a 630 finish (32D).



#87 Door Protector

NEW!

Length: 8-3/4", Width: 2"

Projects 3-1/4"

7 Gauge Stainless Steel

Protect Locks and Exit Devices from Carts, Gurneys and other Damage.



Frame Filler for GJ 100 & Rixson Overhead Stops

OH 100 PC

List Price: \$16.95

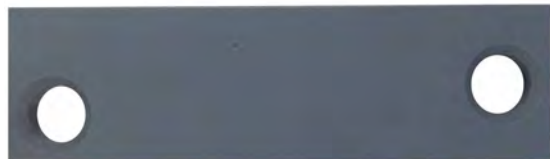
For GJ100, ABH and Don-Jo concealed OH stops



OH 16 PC

List Price: \$16.95

For Rixson #1 & 6 concealed OH stops



March 2021

The Architectural Pull Collection



- Straight Ladder Pull Series
- Offset Ladder Pull Series
- Rectangle Pull Series
- Leather Series
- Wood Series
- Grip Zone Split Finish Series
- Other Custom Designs Available

For pricing on standard or custom pulls contact quotes@don-jo.com

March 2021

Heavy Duty Hinge Pin Stop



1512 Hinge Pin Stop

- For 4 1/2" x 4 1/2" hinge
- Opens to 170 degrees
- Easy to Install
- Replaces Existing Pin



1513CP
shown installed



1513 Hinge Pin Stop

- For 4 1/2" x 4 1/2" hinge
- Opens to 170 degrees
- Easy to Install
- Uses Existing Pin
- Works with All Commercial Hinges

See page 15 for pricing

Did You Know?

Don-Jo makes emergency release tools for Privacy Door Latches



Don-Jo #1606
Privacy Door Latch

1606 ERT
\$15.00 List

Works with Don-Jo #1606 and other manufacturers Privacy Door Latches

Heavy Duty Crash Chain in DARK BRONZE



Part #	Size	List Price
HDCC 2012 DU	20.5"	\$33.60*
HDCC 2512 DU	25.5"	\$34.40*
HDCC 3012 DU	30.5"	\$35.20*

Extended Lip Strikes in Polished Stainless



Part #	Price	Part #	Price
EL 115 629	\$9.50	9115 629	\$6.50
EL 175 629	\$9.50	9175 629	\$6.50
EL 102 629	\$9.50	9102 629	\$6.50
EL 125 629	\$9.50	9125 629	\$6.50
EL 103 629	\$9.50	9103 629	\$6.50
EL 104 629	\$13.40	9115 629 RC	\$6.50
EL 115 629 RC	\$9.50	9175 629 RC	\$6.50
EL 175 629 RC	\$9.50	9102 629 RC	\$6.50
EL 102 629 RC	\$9.50	9125 629 RC	\$6.50
EL 125 629 RC	\$9.50	9103 629 RC	\$6.50
EL 103 629 RC	\$9.50		
EL 104 629 RC	\$13.40		

*2020 List Prices

March 2021

Extended Lip Dimple Strikes



See page 15 for pricing

"D" Shape Extended Lip Dimple Strike

2-1/4" tall

Available in lengths: 1-1/2", 1-3/4", 2", 2-1/2", 3", 4"

Custom lengths available

Finishes: 605, DU, 630, 622

"T" Shape Extended Lip Dimple Strike

2-3/4" tall

Available in lengths: 1-1/2", 1-3/4", 2", 2-1/2", 3", 4"

Custom lengths available

Finishes: 605, DU, 630, 622

Also available in ASA 4-7/8" versions

Black Finishes in Stock!



See page 15 for pricing

Part #	Part #
90 BK Kick Plates	7119 315 Pull Plate
70 BK All Size Push Plates	1700 622 Roller Latch
19 315 Door Pull	1702 622 Roller Latch
20 315 Door Pull	1704 622 Roller Latch
ADA Signs	2021 622 Coordinator
1406 622 Convex Wall Bumper	2040 622 Coordinator
1407 622 Concave Wall Bumper	9234 622 T Strike
1440 622 Low Dome Stop	ST 214 622 Replacement Strike
1442 622 High Dome Stop	ST 214 RC Replacement Strike
1450 622 Low Goose Stop	EL 100's Ext. Lip Strikes
1452 622 High Goose Stop	ETS 100's Ext. T Strikes
1504 622 Base Stop	PDL 100 Pocket Lock
1506 622 Base Stop	PDL 101 Pocket Lock
1606 622 Flip Lock	104 622 Edge Pull
125 622 Finger pull	106 622 Edge Pull

1156,1157,1158,1158,1160-315 1" Diameter offset door pulls

Non-Stock Items Also Available in Black

Ladder Pulls • Wrap Arounds • Latch Protectors
Filler Plates • Hinges

List Prices

Based on 2019 Pricebooks

Barn/Sliding Door Sets

BD1815 – 3/4" Round Pull		List Price
630		\$69.75
613		\$89.50
622		\$94.50
BD1830 – 3/8" x 1-1/4" Flat Bar Pull		List Price
630		\$80.65
613		\$99.15
622		\$104.65
BD1837 – 1" Half Round Pull		List Price
630		\$85.70
613		\$104.25
622		\$109.15
BD18 – Flush Pull Only		List Price
	Single	BTB Pair
630	\$27.75	\$65.60
613	\$36.35	\$82.70
622	\$38.80	\$87.60

Did You Know?

Don-Jo Stocks Hospital Push/Pull Latches for Immediate Delivery!



Cylindrical Latch, 1/2" throw, passage function

- The 4500 Series is 2-3/4" backset
- The 4500 Series is 5" backset
- Equal and Comparative to GJ, Hager, Rockwood and Trimco
- UL Listed, Meets ADA
- For 1-3/4" Doors
- Field Reversible

Stainless Steel List \$262.30

Electromagnetic Door Holders

Model	Mount	Finish	List Price
MH 2 F CP	Flush	Chrome	\$165.00
MH 2 F BR	Flush	Brass	\$179.00
MH 2 F DB	Flush	Bronze	\$182.00
MH 2 S CP	Surface	Chrome	\$179.00
MH 2 S BR	Surface	Brass	\$195.00
MH 2 S DB	Surface	Bronze	\$204.00
MH 2 R CP	Recessed	Chrome	\$165.00
MH 2 R BR	Recessed	Brass	\$179.00
MH 2 R DB	Recessed	Bronze	\$182.00
MH 2 G1 CP	Ground Single	Chrome	\$224.00
MH 2 G1 BR	Ground Single	Brass	\$240.00
MH 2 G1 DB	Ground Single	Bronze	\$255.00
MH 2 G2 CP	Ground Double	Chrome	\$272.00
MH 2 G2 BR	Ground Double	Brass	\$293.00
MH 2 G2 DB	Ground Double	Bronze	\$310.00

Extension Rods

MH E .5 (finish)	1/2" extension	\$16.75
MH E 1 (finish)	1" extension	\$16.75
MH E 1.5 (finish)	1-1/2" extension	\$17.50
MH E 1.5A (finish)	1-1/2" adj. extension	\$18.75
MH E 2 (finish)	2" extension	\$19.95
MH E 2A (finish)	2" adj. extension	\$21.25
MH E 3 (finish)	3" extension	\$20.95
MH E 4 (CP Only)	4" extension	\$26.25
MH E 4A (finish)	4" adj. extension	\$26.75
MH E 5A (finish)	5" adj. extension	\$28.75

Accessories

MH C (finish)	Catch Plate	\$26.35
MH SB (finish)	Swivel Base	\$74.00
MH BB (finish)	Surface Box	\$43.50
MH W	Extension Wrench	\$2.05
MH DF	Drill Fixture	\$210.00

40 Years
of American Made Quality



List Prices

Based on 2020 Pricebooks

Extended Lip Dimple Strikes

2-1/4" 'D'		DT9103 DU	\$10.90
D9115 605	\$6.20	DT9104 605	\$14.20
D9115 622	\$11.60	DT9104 622	\$21.20
D9115 630	\$5.80	DT9104 630	\$13.60
D9115 DU	\$10.30	DT9104 DU	\$19.90
2-3/4" 'T'		4-7/8" ASA	
DT9115 605	\$6.60	DEST 115 622	\$30.05
DT9115 622	\$12.20	DEST 115 630	\$23.75
DT9115 630	\$6.00	DEST 115 DU	\$29.30
DT9115 DU	\$10.90	DEST 158 622	\$30.05
DT9175 605	\$6.60	DEST 158 630	\$23.75
DT9175 622	\$12.20	DEST 158 DU	\$29.30
DT9175 630	\$6.00	DEST 175 622	\$30.05
DT9175 DU	\$10.90	DEST 175 630	\$23.75
DT9102 605	\$6.60	DEST 175 DU	\$29.30
DT9102 622	\$12.20	DEST 102 622	\$30.05
DT9102 630	\$6.00	DEST 102 630	\$23.75
DT9102 DU	\$10.90	DEST 102 DU	\$29.30
DT9125 605	\$6.60	DEST 125 622	\$30.05
DT9125 622	\$12.20	DEST 125 630	\$23.75
DT9125 630	\$6.00	DEST 125 DU	\$29.30
DT9125 DU	\$10.90	DEST 103 622	\$30.05
DT9103 605	\$6.60	DEST 103 630	\$23.75
DT9103 622	\$12.20	DEST 103 DU	\$29.30
DT9103 630	\$6.00	DEST 104 622	\$34.95
DT9103 DU	\$10.30	DEST 104 630	\$29.80
D9104 605	\$13.30	DEST 104 DU	\$34.25
D9104 622	\$19.30	1406 622	\$6.85
D9104 630	\$12.40	1407 622	\$6.85
D9104 DU	\$18.10	1440 622	\$8.30
DT9115 605	\$6.60	1442 622	\$8.70
DT9115 622	\$12.20	1450 622	\$25.50
DT9115 630	\$6.00	1452 622	\$29.05
DT9115 DU	\$10.90	1504 622	\$7.75
DT9175 605	\$6.60	1506 622	\$18.50
DT9175 622	\$12.20	1606 622	\$34.00
DT9175 630	\$6.00	125 622	\$3.20
DT9175 DU	\$10.90	1700 622	\$35.80
DT9102 605	\$6.60	1702 622	\$35.80
DT9102 622	\$12.20	1704 622	\$35.80
DT9102 630	\$6.00	2021-622	\$129.90
DT9102 DU	\$10.90	2040	\$128.70
DT9125 605	\$6.60	9234 622	\$5.00
DT9125 622	\$12.20	ST 214 622	\$4.80
DT9125 630	\$6.00	ST 214 622 RC	\$4.80
DT9125 DU	\$10.90		
DT9103 605	\$6.60		
DT9103 622	\$12.20		
DT9103 630	\$6.00		

Black Finishes

PDL 100 622	\$18.70	ETS 175 622	\$15.95
PDL 101 622	\$22.20	ETS 102 622	\$15.95
104 622	\$15.90	ETS 125 622	\$15.95
106 622	\$37.70	ETS 103 622	\$15.95
EL 115 622	\$13.50	ETS 104 622	\$20.75
EL 175 622	\$13.50	T9115 622	\$10.95
EL 102 622	\$13.50	T9175 622	\$10.95
EL 125 622	\$13.50	T9102 622	\$10.95
EL 103 622	\$13.50	T9125 622	\$10.95
EL 104 622	\$19.30	T9103 622	\$10.95
EL 115 622 RC	\$13.50	90 BK Under 8"	\$12.60
EL 175 622 RC	\$13.50	90 BK 8"-16"	\$11.90
EL 102 622 RC	\$13.50	90 BK Over 16"	\$12.70
EL 125 622 RC	\$13.50	70 BK	\$11.35
EL 103 622 RC	\$13.50	71 BK	\$11.75
EL 104 622 RC	\$19.30	72 BK	\$15.95
9115 622	\$10.35	73 BK	\$18.70
9175 622	\$10.35	19 315	\$29.45
9102 622	\$10.35	20 315	\$31.95
9125 622	\$10.35	7119 BK	\$44.95
9103 622	\$10.35	7120 BK	\$47.15
9115 622 RC	\$10.35	1156 315	\$65.10
9175 622 RC	\$10.35	1157 315	\$65.40
9102 622 RC	\$10.35	1158 315	\$70.40
9125 622 RC	\$10.35	1159 315	\$109.20
9103 622 RC	\$10.35	1160 315	\$69.40
ETS 115 622	\$15.95		

Heavy Duty Hinge Pin Stop

1512-BP	\$19.40	1513-619	\$19.85
1512-CP	\$19.40	1513-613	\$19.85
1512-613	\$19.85	1513-CP	\$19.40



